

# HILLCREST SHOPS

## H&W / RVRVY TRACK STANDARDS & GRADING SPECS.

### CURVES

Minimum Radii  
 Main Track - 70'  
 Back Track - 55'

Absolute Minimum Radius  
 50'

Tangent between Curves  
 Minimum - 15'

### TIES

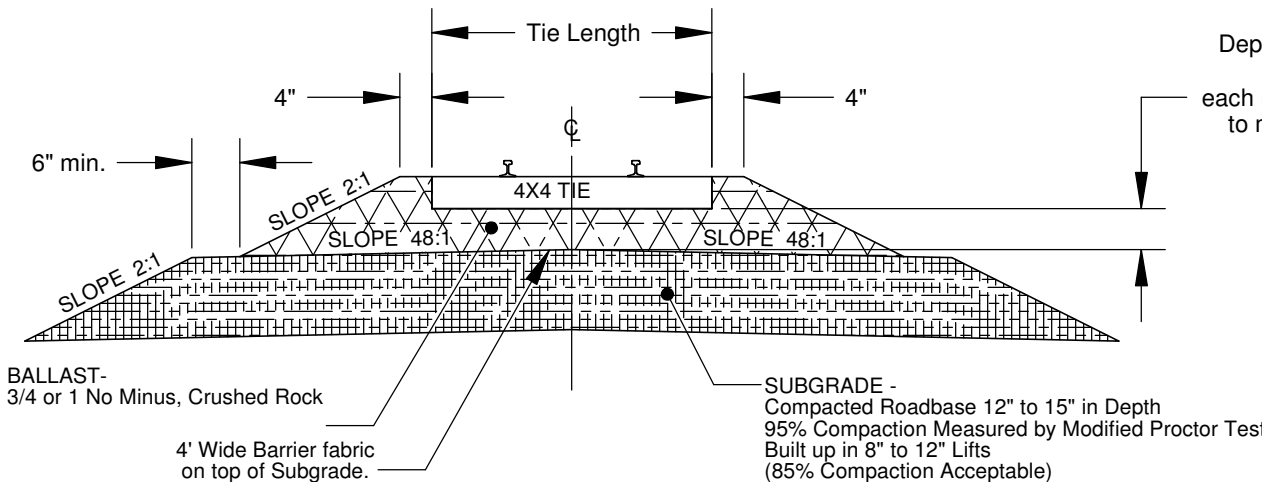
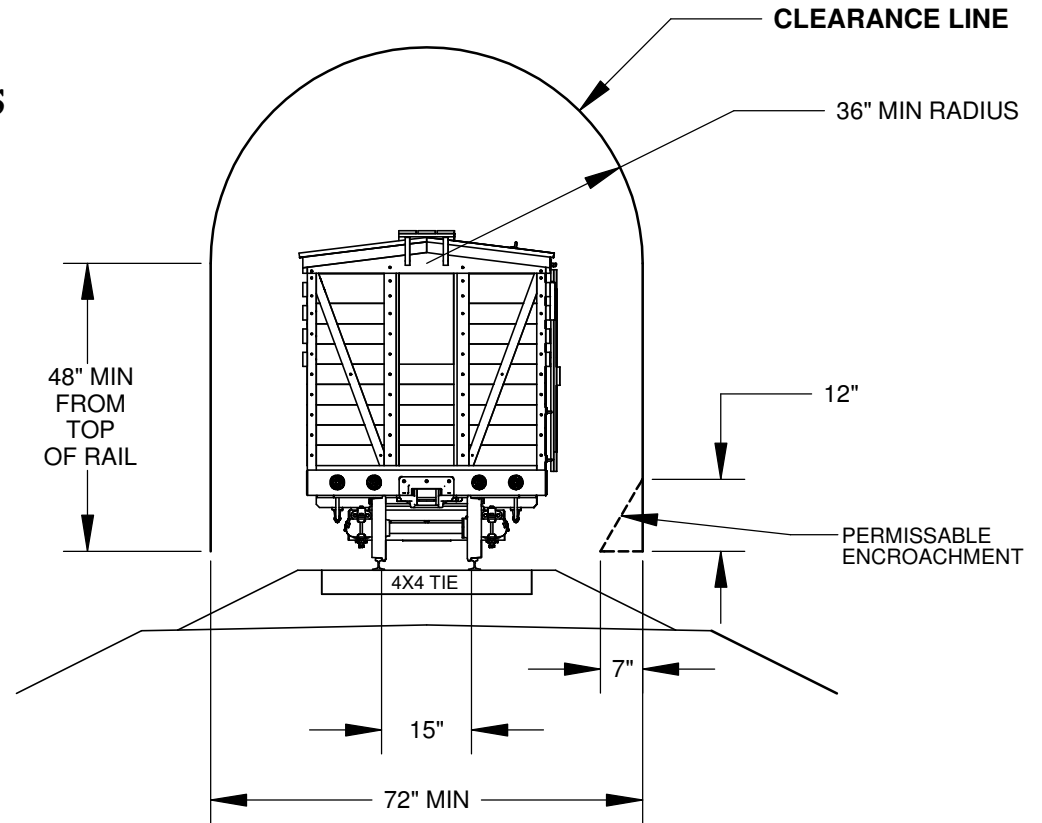
Main Track - 4" x 4" x 35"  
 Tie Spacing - 14"

### GAUGE

Tangent: 15"  
101' + Radius: 15 1/8"  
60' to 100' Radius: 15 1/4"  
59' or Less Radius: 15 3/8"

### PARALLEL TRACK CENTER TO CENTER

Mainline: 6'  
Back Tracks: 5'



Depth of Ballast will depend on conditions particular to each railroad and location in order to maintain a constant grade. 4" min. under tie.